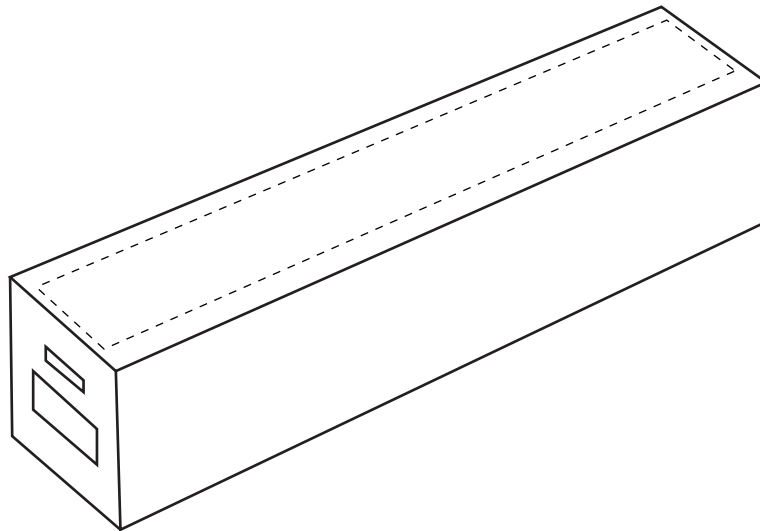


YOUR VISUAL PROOF



Order Reference	xxxxxx
Date created	xx/xx/xx
Created by	xx

Product	192256
Colour	White
Branding	Spot colour/Full colour

PANTONE® Colours



Artwork Advisories



It is the customer's responsibility to ensure that the proof is correct in all areas. Please be sure to double-check spelling, grammar, layout and design before approving artwork. **Due to the variation in monitor colours and adjustments, PDF proofs may not provide an accurate colour representation of the final product & printed work.** Once artwork is approved, your order will be processed based on the above unless any amendments are made. All orders are subject to our terms and conditions.

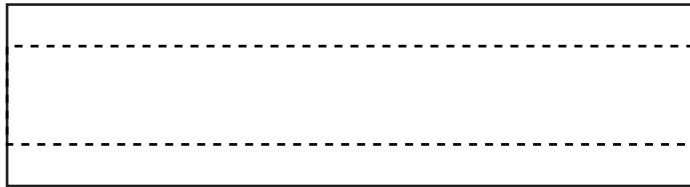
Please email all approvals/amends to your order processor.

Scale 100% Print area 91 x 13mm Logo size xx x xxmm

YOUR VISUAL PROOF (2 of 2)

Order Reference	xxxxxx
Date created	xx/xx/xx
Created by	xx

Print area	91 x 13mm
Logo size	xx x xxmm
Branding	Spot colour/Full colour



Visual scale 100%.