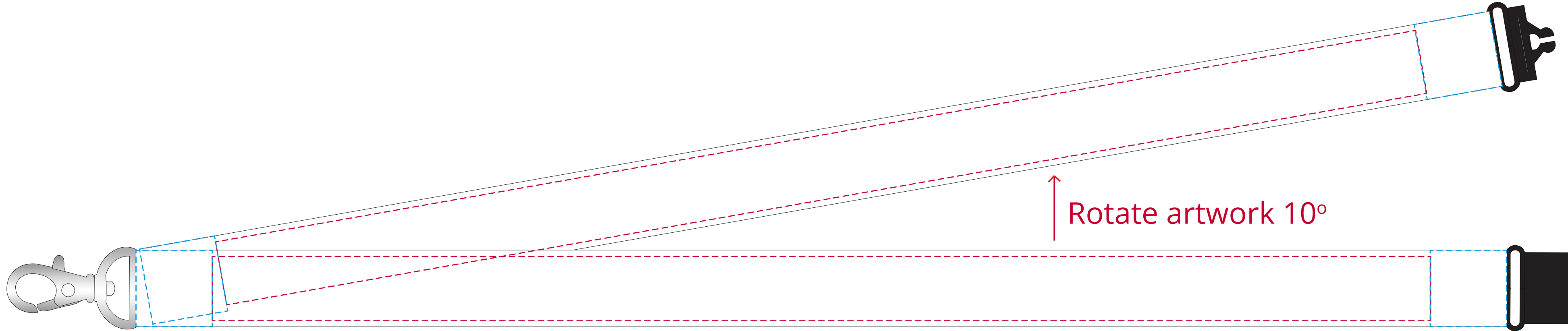


## YOUR VISUAL PROOF (1 of 2)



Keep logo/text at least 25mm from clip to avoid stitching

Visual Scale 100%

Print area 25 x 900 mm

Logo size xx x xx mm

Order Reference xxxxxx  
Date created xx/xx/xx  
Created by xx

Product 196430  
Colour White  
Branding Full Colour

### Artwork Advisories

Full colour printed colours may differ when printed to the final product.

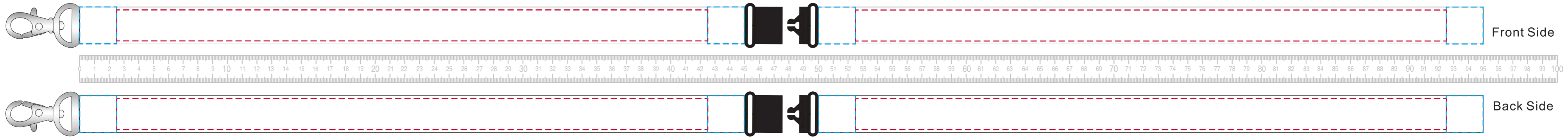
It is the customer's responsibility to ensure that the proof is correct in all areas. Please be sure to double-check spelling, grammar, layout and design before approving artwork. Due to the variation in monitor colours and adjustments, PDF proofs may not provide an accurate colour representation **of the final product & printed work**. Once artwork is approved, your order will be processed based on the above unless any amendments are made. All orders are subject to our terms and conditions.

Please email all approvals/amends to your **order processor**.

# YOUR VISUAL PROOF (2 of 2)

Order Reference xxxxxx  
Date created xx/xx/xx  
Created by xx

Print area 25 x 900 mm  
Logo size xx x xxmm  
Branding Full Colour



Visual scale 50%.