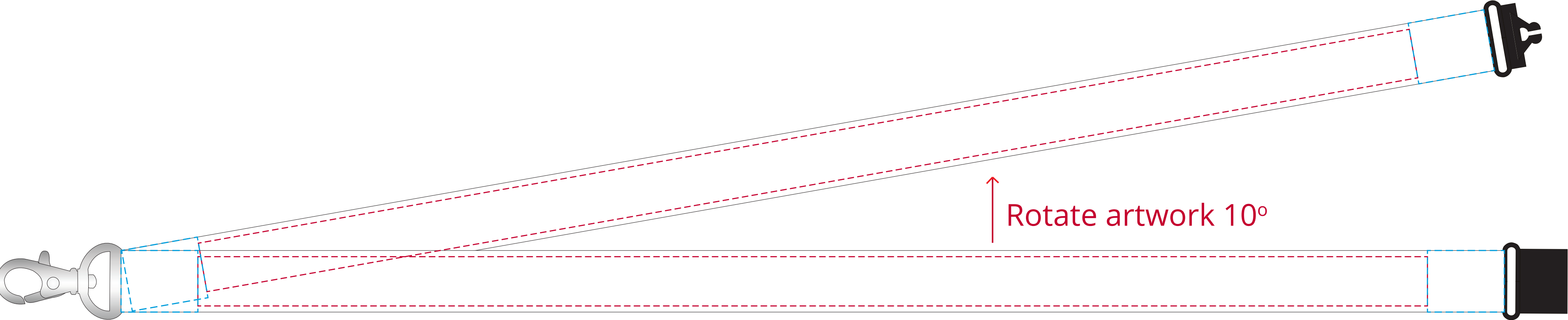


YOUR VISUAL PROOF (1 of 2)



Keep logo/text at least 25mm from clip to avoid stitching

Scale 100% Print area 16 x 400 mm (per strap) Logo size xx x xxmm

Order Reference	xxxxxx
Date created	xx/xx/xx
Created by	xx

Product	198568
Colour	Pantone: XXXc
Branding	Spot Colour

PANTONE® Colours

--	--	--	--

Artwork Advisories

It is the customer's responsibility to ensure that the proof is correct in all areas. Please be sure to double-check spelling, grammar, layout and design before approving artwork. **Due to the variation in monitor colours and adjustments, PDF proofs may not provide an accurate colour representation of the final product & printed work.** Once artwork is approved, your order will be processed based on the above unless any amendments are made. All orders are subject to our terms and conditions.

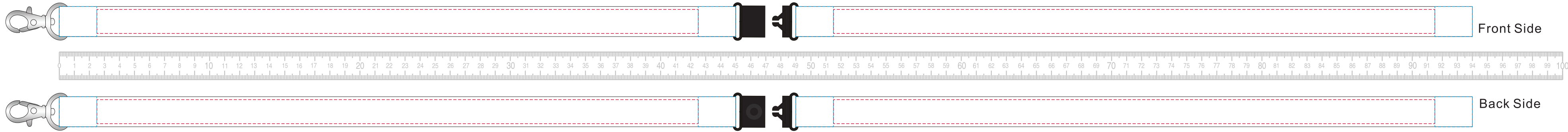
Please email all approvals/amends to your order processor.

YOUR VISUAL PROOF (2 of 2)

Order Reference xxxxxx
Date created xx/xx/xx
Created by xx

Print area 16 x 400 mm (per strap)
Logo size xx x xxmm
Branding Spot Colour

Reduced by 50%



Visual scale 50%.