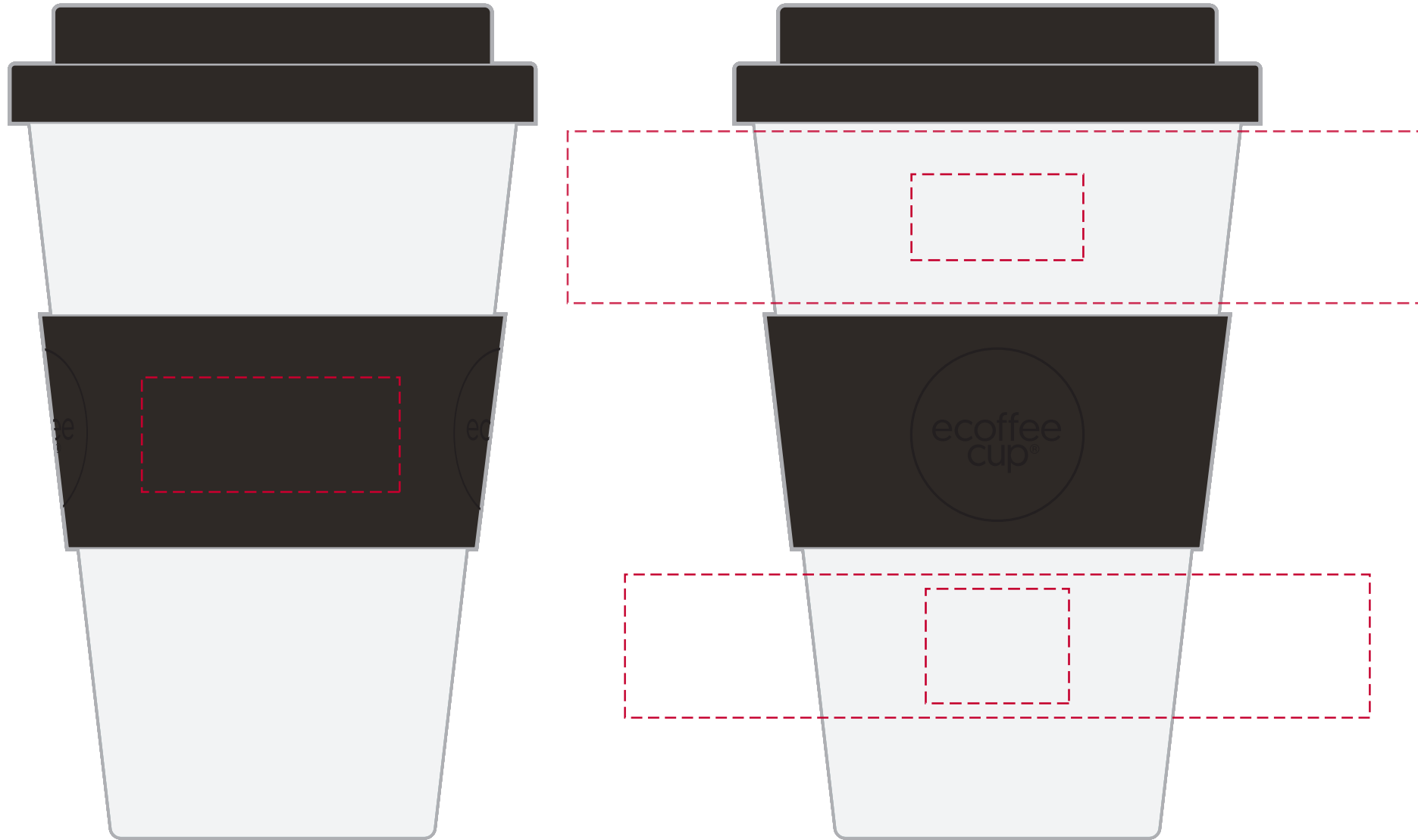


YOUR VISUAL PROOF (1 of 4)



For Visual Purposes Only. Please see page 2 for actual artwork size.

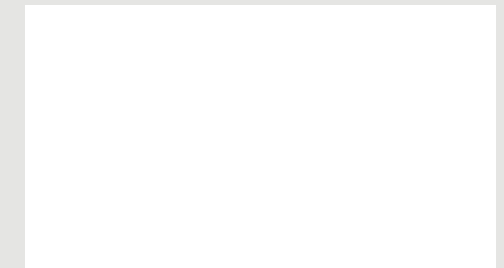
Order Reference xxxxxx
Date created xx/xx/xx
Created by xx

Product 226507
Colour Black Nature
Branding Spot Colour

PANTONE® Colours



Artwork Advisories



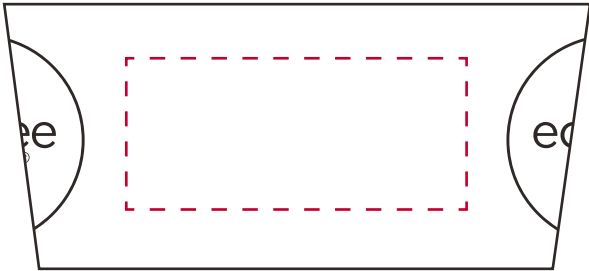
It is the customer's responsibility to ensure that the proof is correct in all areas. Please be sure to double-check spelling, grammar, layout and design before approving artwork. Due to the variation in monitor colours and adjustments, PDF proofs may not provide an accurate colour representation of the final product & printed work. Once artwork is approved, your order will be processed based on the above unless any amendments are made. All orders are subject to our terms and conditions.

Please email all approvals/amends to your order processor.

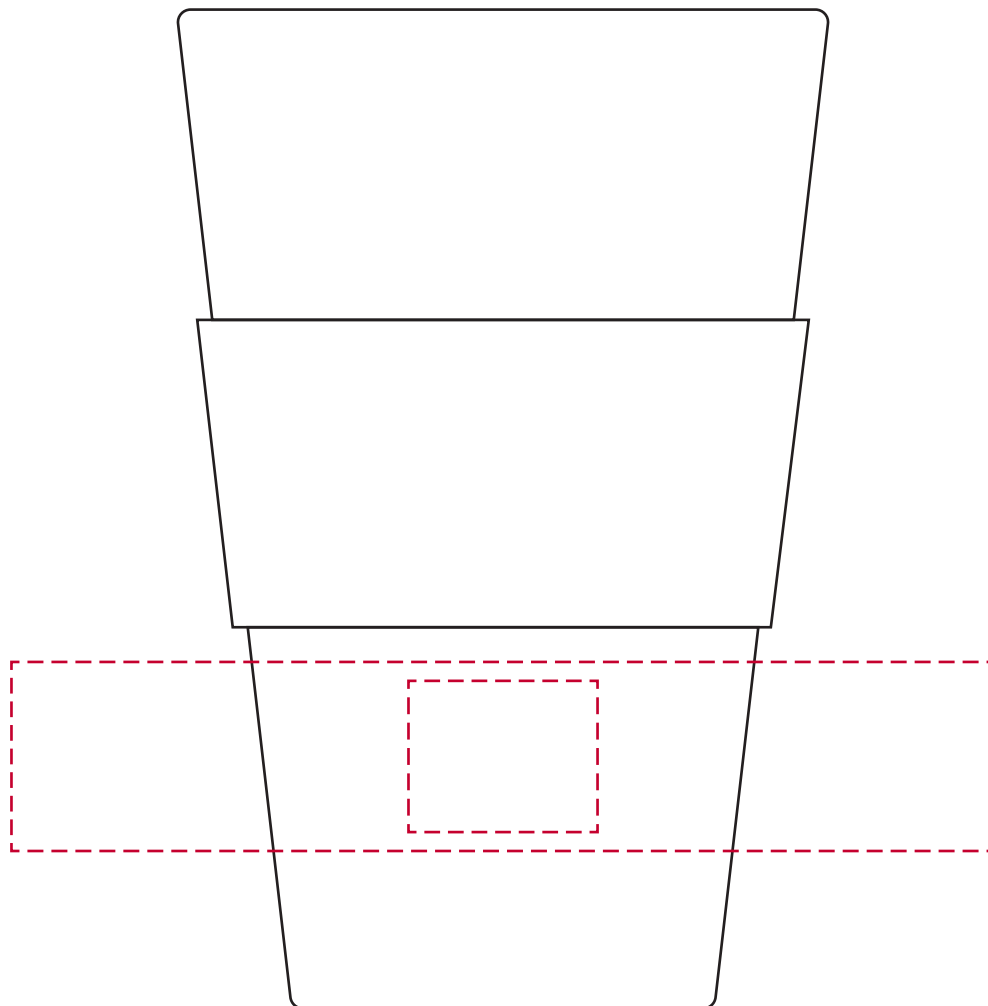
YOUR VISUAL PROOF (2 of 4)

Order Reference xxxxxx
Date created xx/xx/xx
Created by xx

Print Position On Band
Print area 45 x 20 mm
Logo size xx x xxmm
Branding Spot Colour (1 col. max)



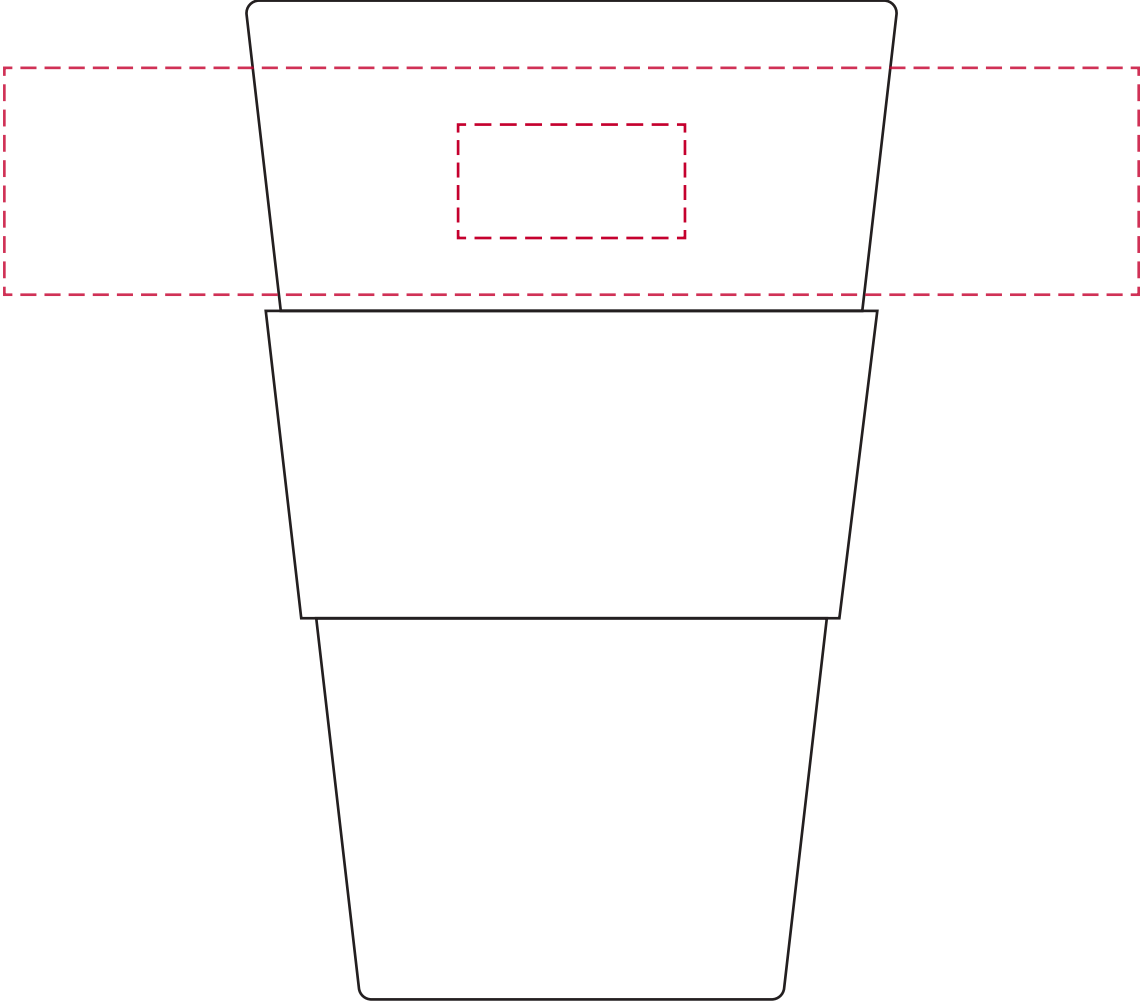
YOUR VISUAL PROOF (3 of 4)



Order Reference	xxxxxx
Date created	xx/xx/xx
Created by	xx

Print Position	Below Band
Print area	130 x 25 mm / 25 x 20 mm
Logo size	xx x xxmm
Branding	Spot Colour (2 col. max)

YOUR VISUAL PROOF (4 of 4)



Order Reference xxxxxx
Date created xx/xx/xx
Created by xx

Print Position Below Band
Print area 150 x 30 mm / 30 x 15 mm
Logo size xx x xxmm
Branding Spot Colour (2 col. max)