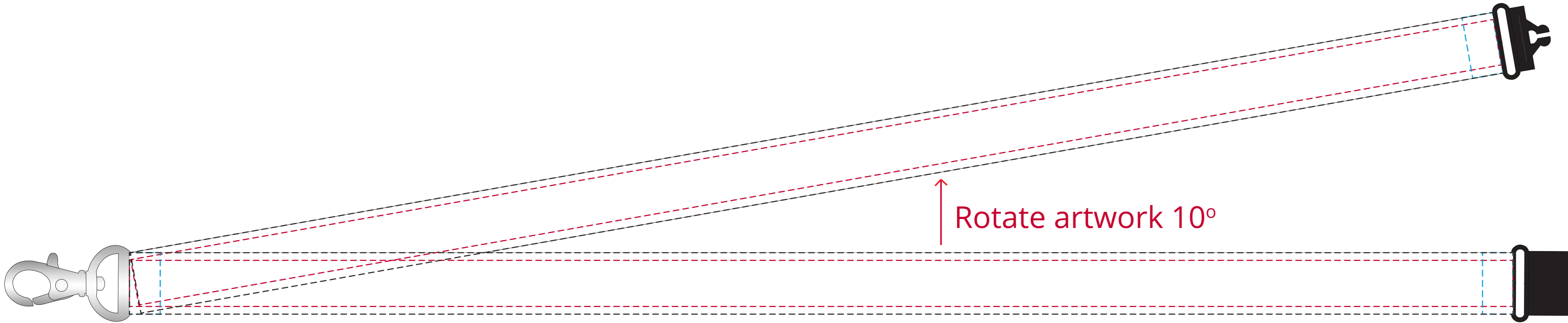


YOUR VISUAL PROOF (1 of 2)



--- Safe Text Area
--- Print Area

Keep logo/text at least 10mm from clip to avoid stitching

Keep logo/text inside safe text area

Scale 100% Print area 20 x 900 mm Logo size xx x xxmm

Order Reference xxxxxx
Date created xx/xx/xx
Created by xx

Product 235281
Colour White
Branding Full Colour

Artwork Advisories

Full colour printed colours may differ when printed to the final product.

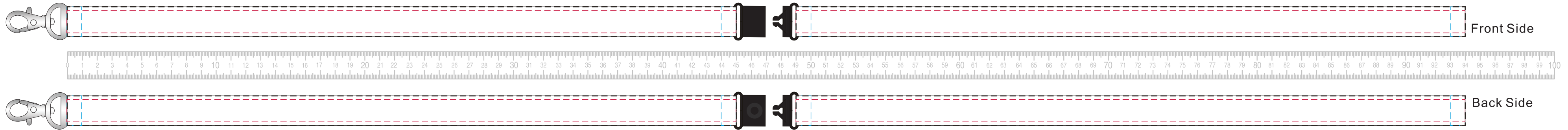
It is the customer's responsibility to ensure that the proof is correct in all areas. Please be sure to double-check spelling, grammar, layout and design before approving artwork. **Due to the variation in monitor colours and adjustments, PDF proofs may not provide an accurate colour representation of the final product & printed work.** Once artwork is approved, your order will be processed based on the above unless any amendments are made. All orders are subject to our terms and conditions.

Please email all approvals/amends to your order processor.

YOUR VISUAL PROOF (2 of 2)

Order Reference	xxxxxx
Date created	xx/xx/xx
Created by	xx

Print area	20 x 900mm
Logo size	xx x xxmm
Branding	Full Colour



--- Safe Text Area
--- Print Area

Visual scale 50%.