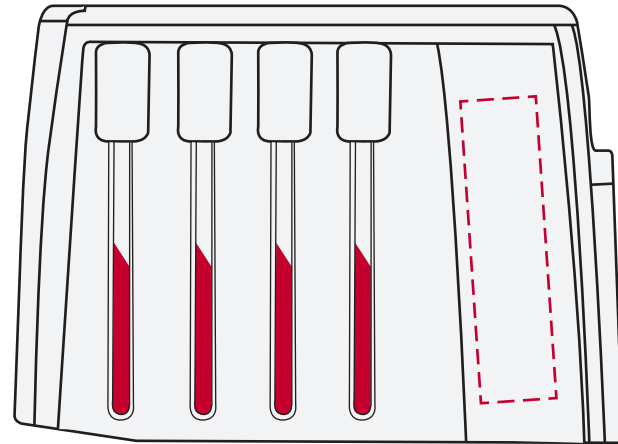
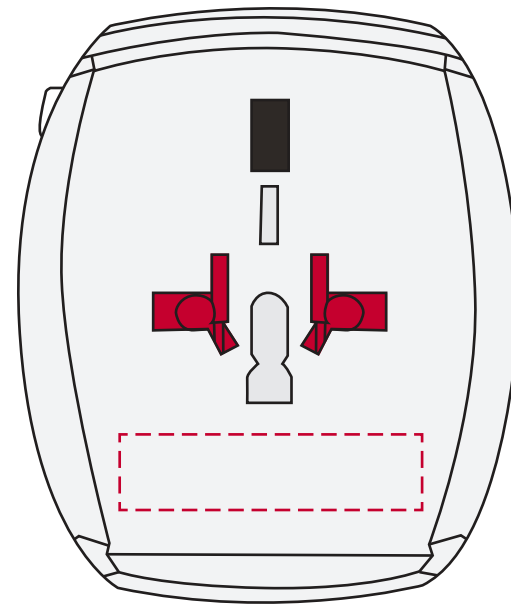


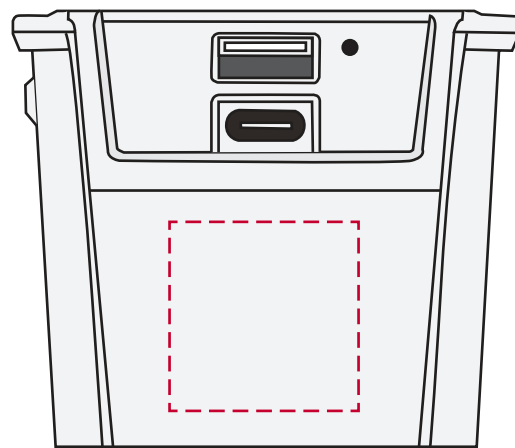
YOUR VISUAL PROOF



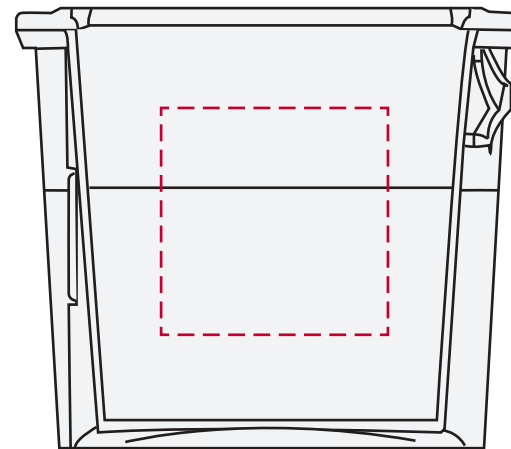
Side



Top



Front



Back

Order Reference xxxxxx
 Date created xx/xx/xx
 Created by xx

Product 235600
 Colour White
 Branding Full Colour

Artwork Advisories

Full colour printed colours may differ when printed to the final product.

It is the customer's responsibility to ensure that the proof is correct in all areas. Please be sure to double-check spelling, grammar, layout and design before approving artwork. **Due to the variation in monitor colours and adjustments, PDF proofs may not provide an accurate colour representation of the final product & printed work.** Once artwork is approved, your order will be processed based on the above unless any amendments are made. All orders are subject to our terms and conditions.

Scale 100% Print area 40 x 10 mm (side, top) 25 x 25 mm (front) 30 x 30 mm (back) Logo size xx x xxmm

Please email all approvals/amends to your order processor.