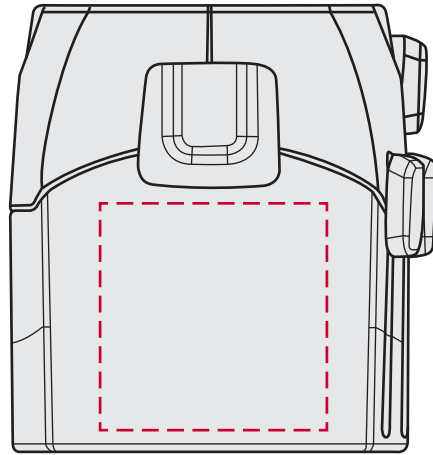
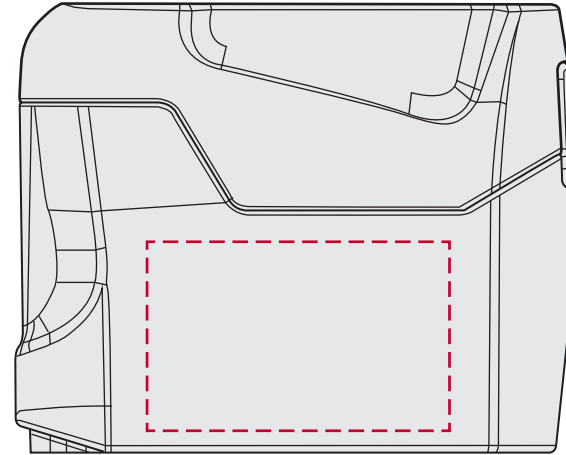


# YOUR VISUAL PROOF

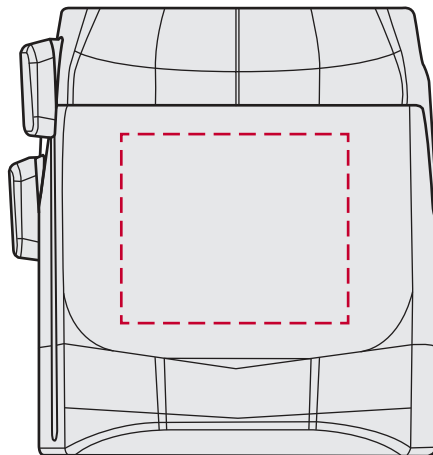
Order Reference xxxxxx  
Date created xx/xx/xx  
Created by xx



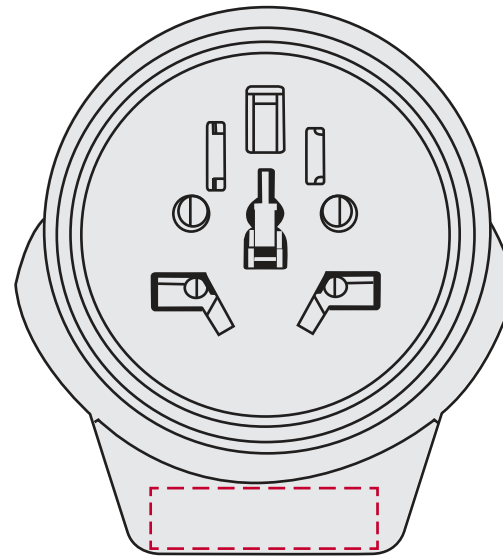
Front



Side



Back



Top

Product 235601  
Colour White  
Branding Full Colour

## Artwork Advisories

**Full colour printed colours may differ** when printed to the final product.

It is the customer's responsibility to ensure that the proof is correct in all areas. Please be sure to double-check spelling, grammar, layout and design before approving artwork. **Due to the variation in monitor colours and adjustments, PDF proofs may not provide an accurate colour representation of the final product & printed work.** Once artwork is approved, your order will be processed based on the above unless any amendments are made. All orders are subject to our terms and conditions.

Scale 100% Print area 40 x 25 mm (side) 30 x 30 mm (front) 30 x 25 mm (back) 30 x 8 mm (top) Logo size xx x xxmm

**Please email all approvals/amends to your order processor.**