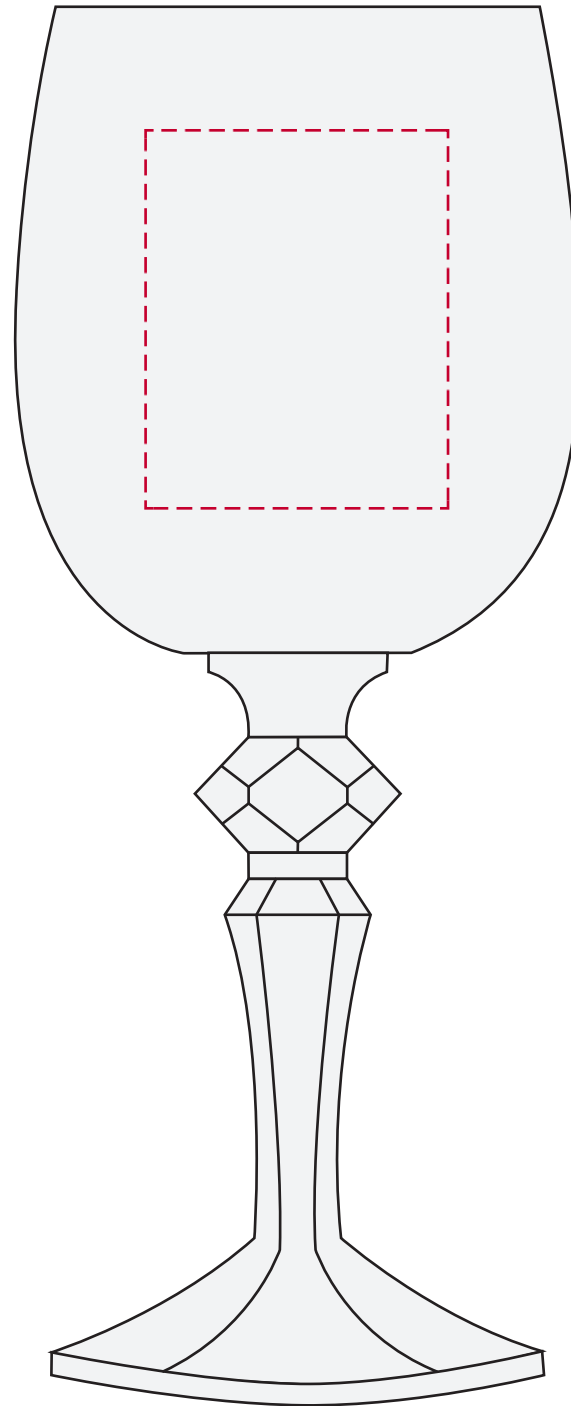


# YOUR VISUAL PROOF

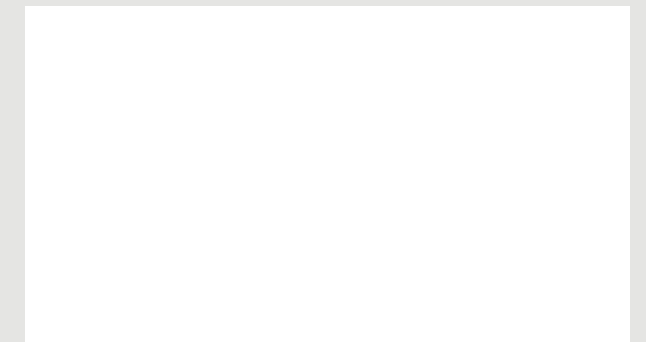


**Scale** 100%    **Print area** 50 x 40 mm    **Logo size** xx x xxmm

**Order Reference** xxxxxx  
**Date created** xx/xx/xx  
**Created by** xx

**Product** 235878  
**Colour** Clear  
**Branding** Engraved

## Artwork Advisories



It is the customer's responsibility to ensure that the proof is correct in all areas. Please be sure to double-check spelling, grammar, layout and design before approving artwork. **Due to the variation in monitor colours and adjustments, PDF proofs may not provide an accurate colour representation of the final product & printed work.** Once artwork is approved, your order will be processed based on the above unless any amendments are made. All orders are subject to our terms and conditions.

**Please email all approvals/amends to your order processor.**