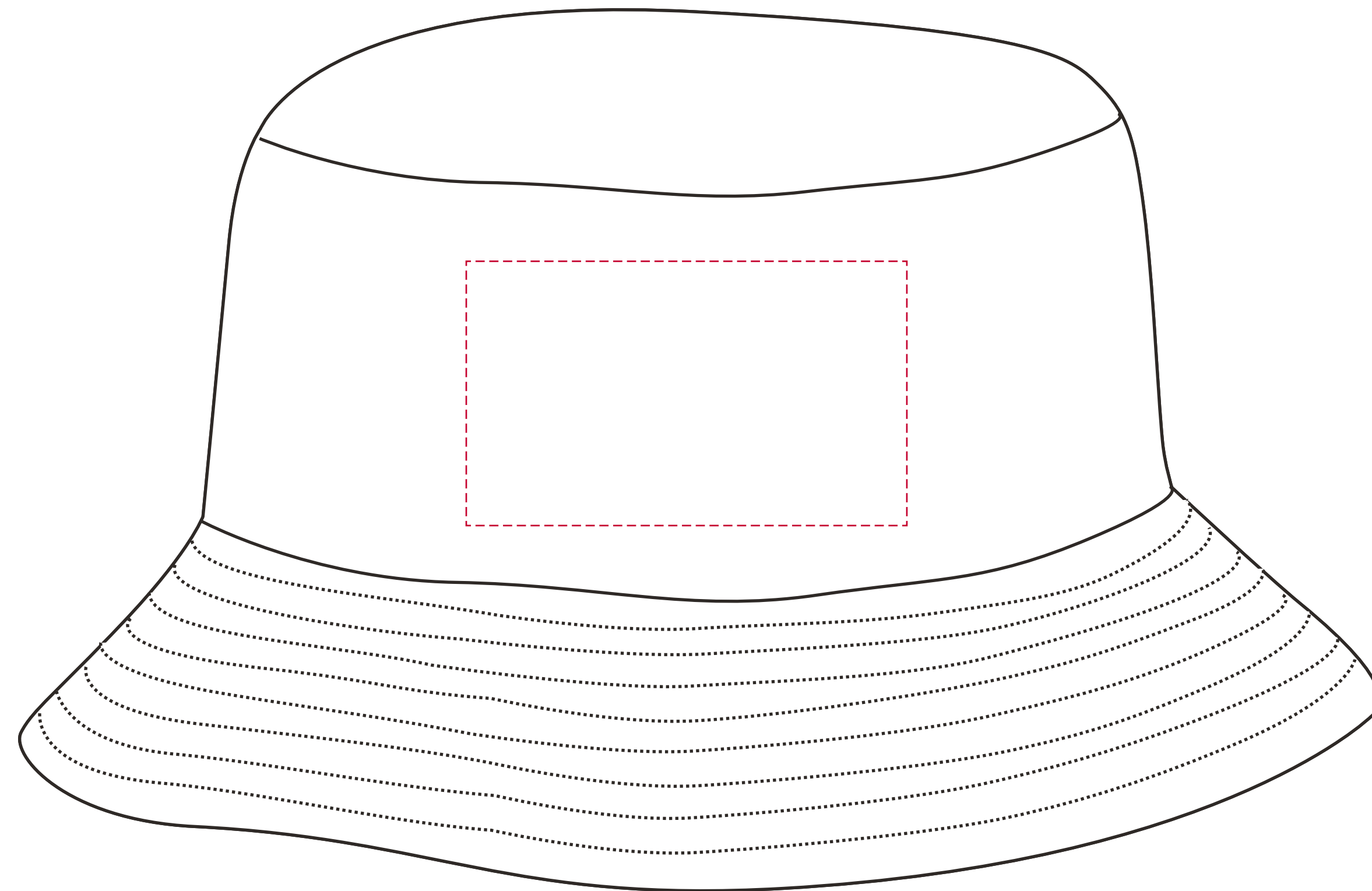


YOUR VISUAL PROOF (1 of 2)



Visual purposes only. Please see page 2 for actual artwork size.

Order Reference	xxxxxx
Date created	xx/xx/xx
Created by	xx

Product	235908
Colour	Pantone XXXc
Branding	Spot Colour (1 Col. Max)

PANTONE® Colours



Artwork Advisories

This template is not to scale and is to be used as a guide for print size & positioning only.

Final product colour may differ slightly due to the product surface.

It is the customer's responsibility to ensure that the proof is correct in all areas. Please be sure to double-check spelling, grammar, layout and design before approving artwork. Due to the variation in monitor colours and adjustments, PDF proofs may not provide an accurate colour representation of the final product & printed work. Once artwork is approved, your order will be processed based on the above unless any amendments are made. All orders are subject to our terms and conditions.

Please email all approvals/amends to your order processor.

YOUR VISUAL PROOF (2 of 2)



Order Reference	xxxxxx
Date created	xx/xx/xx
Created by	xx

Print Area	100 x 60 mm
Logo size	xx x xx mm
Branding	Spot Colour (1 col. max.)

Scale 100%