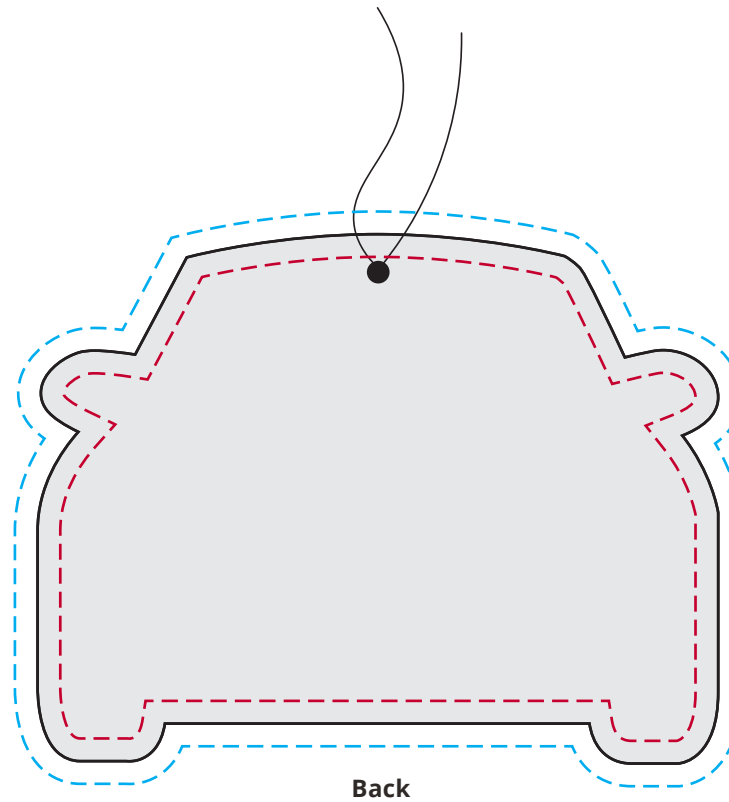
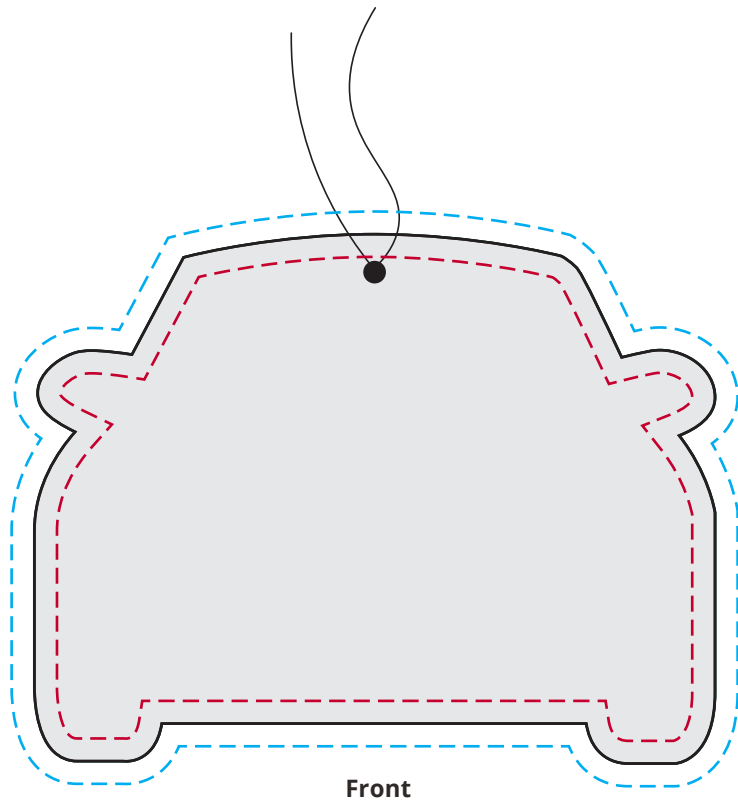


# YOUR VISUAL PROOF

Order Reference xxxxxx  
Date created xx/xx/xx  
Created by xx

Product 100029  
Shape Car (Design 1)  
Colour Natural pulp board  
Branding Full colour



- - - Safe text area
- Print area/Cut line
- - - Bleed

Scale 100%    Print area 90 x 70mm    Logo size xx x xxmm

## Artwork Advisories

**Full colour printed colours may differ** when printed to the final product.

It is the customer's responsibility to ensure that the proof is correct in all areas. Please be sure to double-check spelling, grammar, layout and design before approving artwork. **Due to the variation in monitor colours and adjustments, PDF proofs may not provide an accurate colour representation of the final product & printed work.** Once artwork is approved, your order will be processed based on the above unless any amendments are made. All orders are subject to our terms and conditions.

**Please email all approvals/amends to your order processor.**