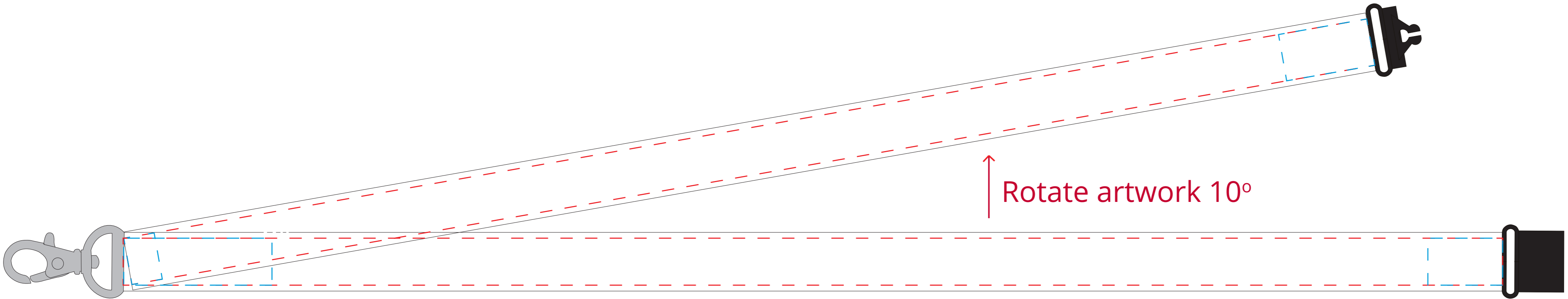


YOUR VISUAL PROOF (1 of 2)

Order Reference xxxxxx
Date created xx/xx/xx
Created by xx



Product 197422
Colour Pantone: XXXc
Branding Woven (3 colours max.)

PANTONE® Colours



Artwork Advisories

Please note, actual woven artwork may differ slightly once digitised.

Keep logo/text out of blue lines to avoid stitching

Scale 100% Print area 18 x 850 mm Logo size xx x xx mm

It is the customer's responsibility to ensure that the proof is correct in all areas. Please be sure to double-check spelling, grammar, layout and design before approving artwork. Due to the variation in monitor colours and adjustments, PDF proofs may not provide an accurate colour representation of the final product & printed work. Once artwork is approved, your order will be processed based on the above unless any amendments are made. All orders are subject to our terms and conditions.

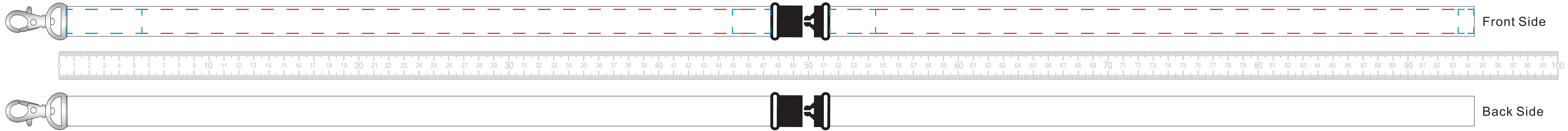
Please email all approvals/amends to your order processor.

YOUR VISUAL PROOF (2 of 2)

Order Reference xxxxxx
Date created xx/xx/xx
Created by xx

Print area 16 x 850 mm
Logo size xx x xx mm
Branding Woven (3 colours max.)

Reduced by 50%



Visual scale 50%.