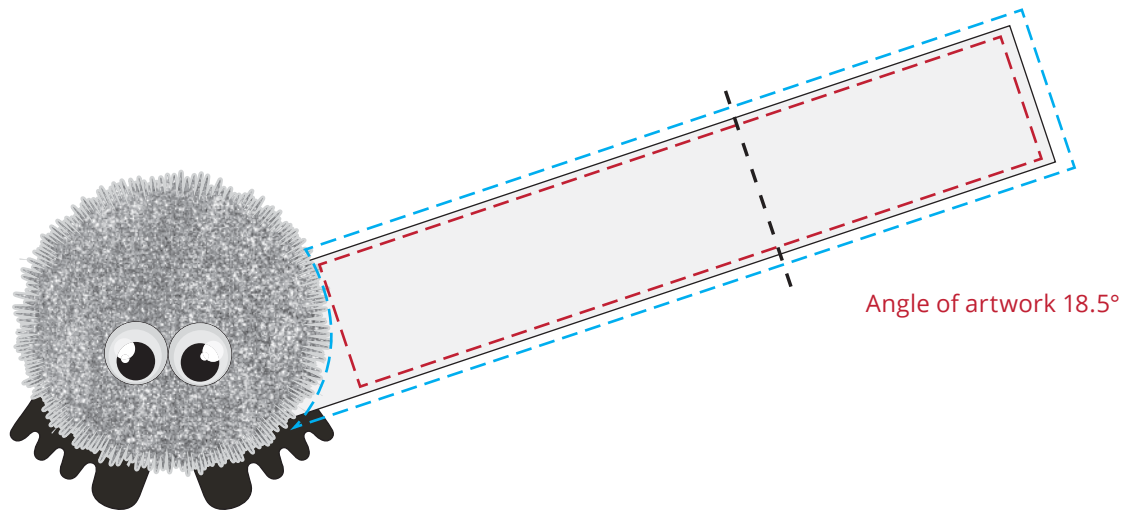


# YOUR VISUAL PROOF (1 of 2)

Order Reference	xxxxxx
Date created	xx/xx/xx
Created by	xx



Product	190838
Bug Colour	Silver Glitter
Foot Colour	Black
Ribbon Colour	White
Branding	Full Colour

## Artwork Advisories

This template is not to scale and is to be used as a guide for print size & positioning only.

Full colour printed colours may differ when printed to the final product.

It is the customer's responsibility to ensure that the proof is correct in all areas. Please be sure to double-check spelling, grammar, layout and design before approving artwork. Due to the variation in monitor colours and adjustments, PDF proofs may not provide an accurate colour representation of the final product & printed work. Once artwork is approved, your order will be processed based on the above unless any amendments are made. All orders are subject to our terms and conditions.

Please email all approvals/amends to your order processor.

Visual purposes only. Please see page 2 for actual artwork size.

# YOUR VISUAL PROOF (2 of 2)

Order Reference xxxxxx  
Date created xx/xx/xx  
Created by xx

Print Area 95 x 17 mm  
Logo Size xx x xx mm  
Branding Full Colour



- - - - Perforation
- - - - Safe text area
- Cut line/Print area
- - - - Bleed

Scale 100%